

# Jake Sales

www.jakesales.com  
www.jake-sales.com

## EZ-LATCH Double Gate Chain Link Gate Drop Rod

**Hang gates in place so that the bottom of the gates have approximately 2" of ground clearance.**

### • STEP 1

Position top and bottom guides on one side of the gate frame and secure in place with bolts.

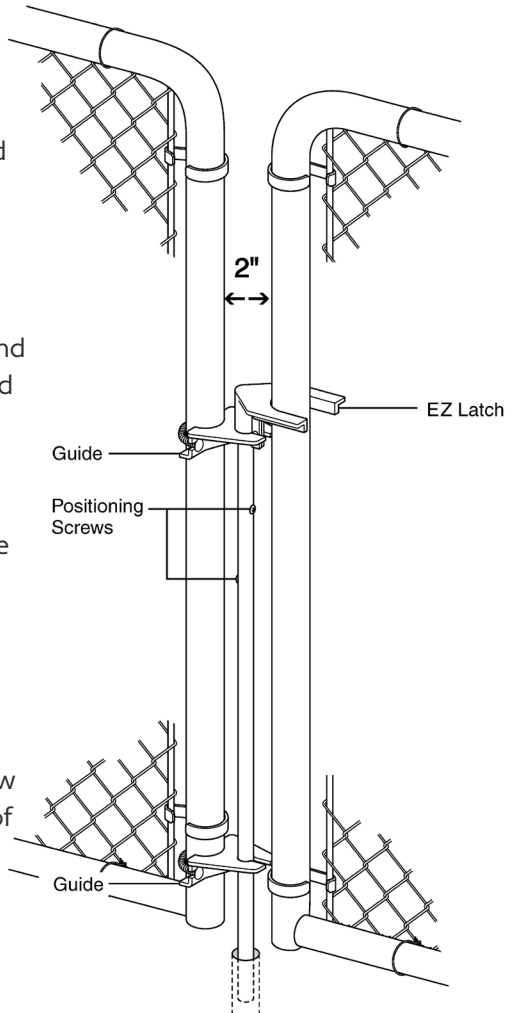
### • STEP 2

Cut a 1-3/8" OD x 3" long piece of tubing and place into the ground to hold the bottom of the drop rod in between the gates.

### • STEP 3

Position drop rod latch so that the bottom of the rod inserts into the tubing in the ground 2". Tighten all bolts securely.

- **NOTE:** Top screw holds latch in the open position. Bottom screw keeps rod from being pulled out of the guides.



**Always Wear Safety Goggles & Gloves • Thank You for your order**

*"For God so loved the world, that He gave his only begotten Son, that whosoever believeth in Him should not perish, but have everlasting life." ~ John 3:16*